

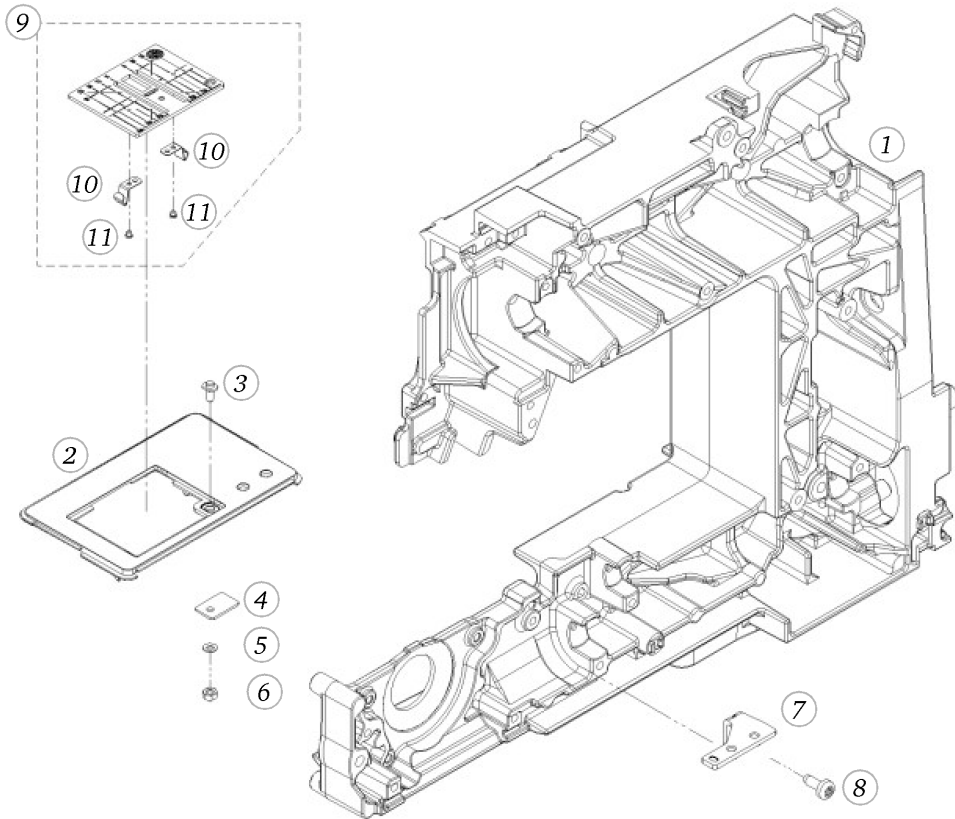


## Spare Parts

**BERNINA 215**

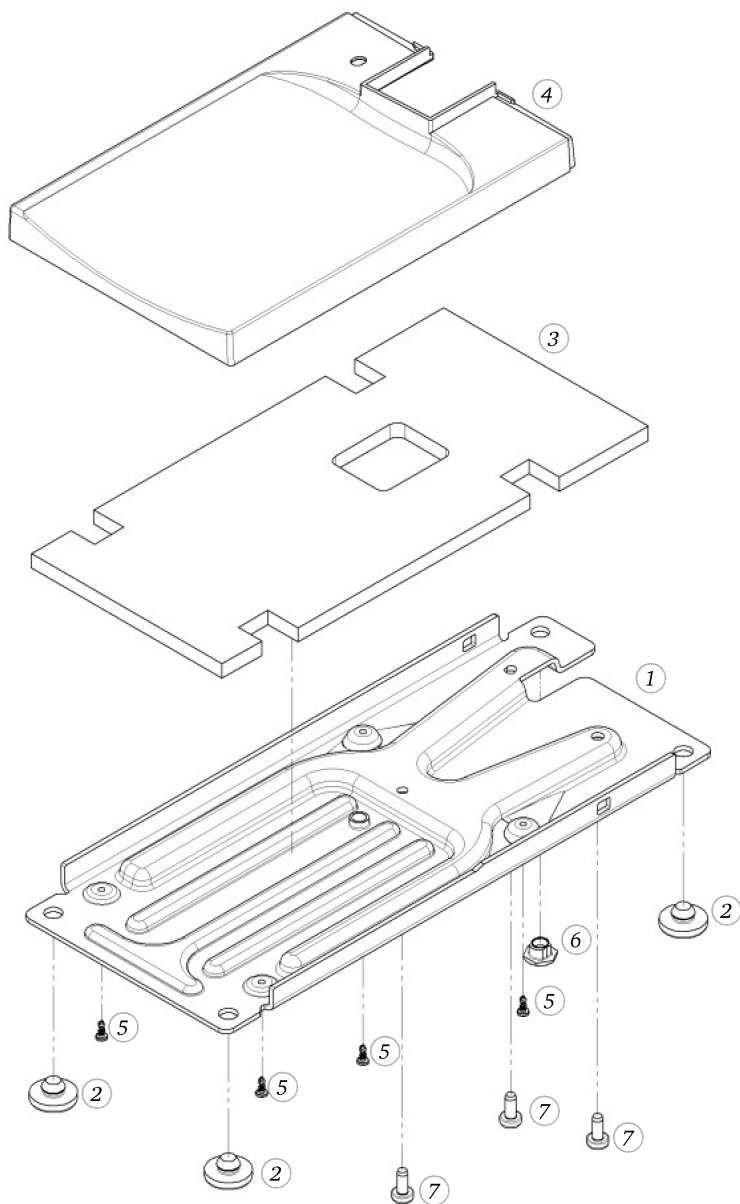
# BERNINA 215

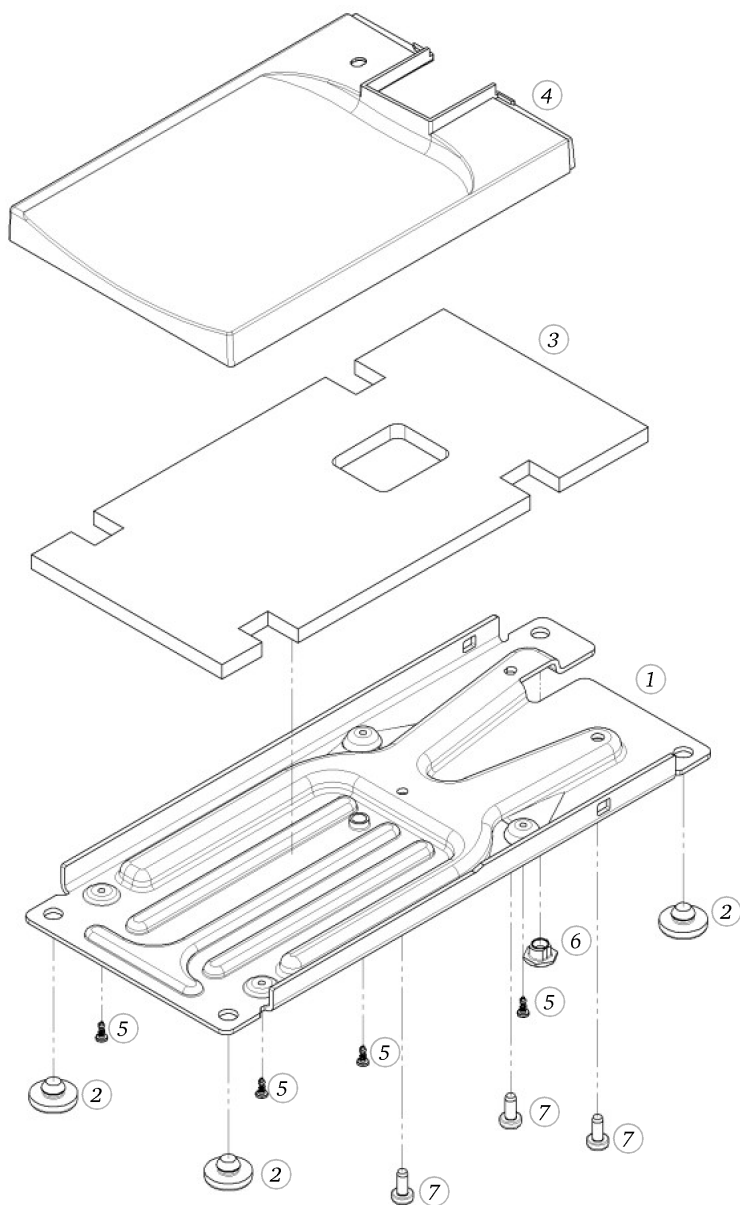
## Chassis



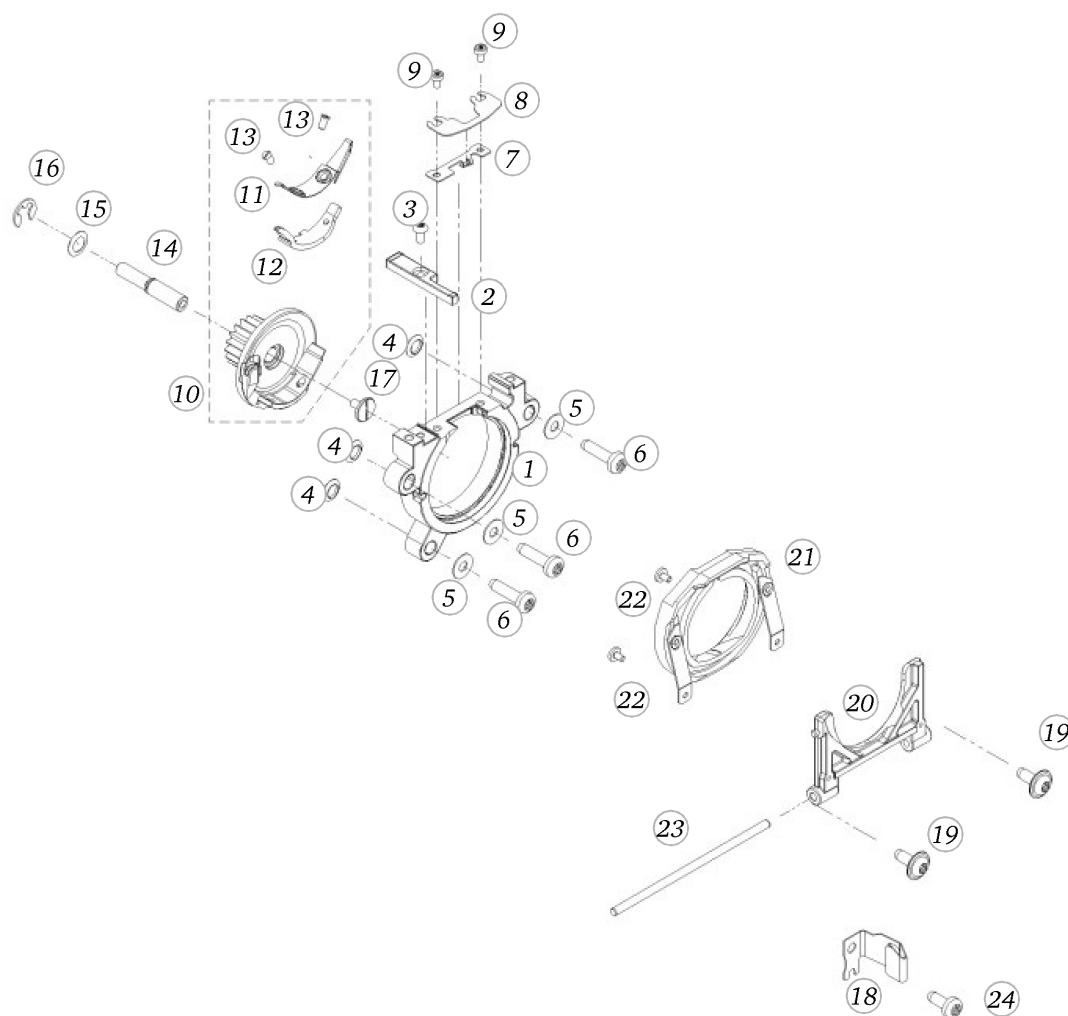
Pos	Item number	Description
1	0088505100	CHASSIS MACHINED
2	0300975002	STITCH PLATE FRAME
3	0026045200	SPECIAL BOLT
4	0010475101	PRESSURE PLATE
5	23225753++	Curved Spring Washers M3 DIN 137 A - BN795 Art-No. 1280317
6	22502313++	HEXAGONAL NUT
7	0310295101	SUPPORT
8	0078865043	Socket Pan Head Thread Forming Screws M4x10 DIN7500 - BN13916 Art-No. 2027593
9	0335467101	STITCHPLATE/STANDRAD C
10	0078755200	Clip
10	0078755300	Clip
11	20500223++	Slotted Machine Screw M2x1.8 nickel-plated

Pos	Item number	Description
1	0300887100	BASEPLATE ASSEMBLED
2	0003445000	RUBBER FOOT
3	0316135200	INSULATION MAT
4	0301485101	BASEPLATE COVER
5	0023345000	Screw Pan Head Pt 3 x 8 WN1452 - BN20138 Art-No. 3216015
5	0023445000	LENS F. INDICATOR
6	0003597000	Adjusting Nut Cpl
7	0078865054	SCREW TORX DUOTAPTITE





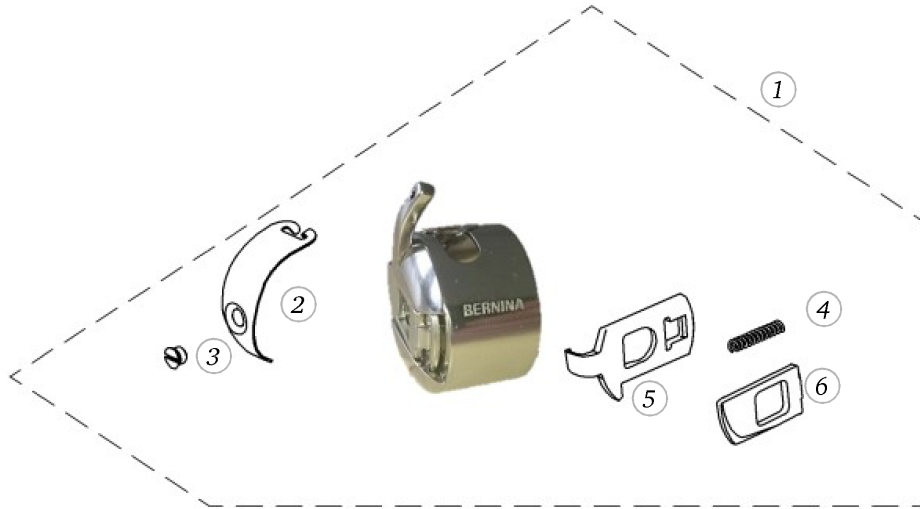
Pos	Item number	Description
1	0300887100	BASEPLATE ASSEMBLED
2	0003445000	RUBBER FOOT
3	0316135200	INSULATION MAT
4	0301485102	BASEPLATE COVER
5	0023345000	Screw Pan Head Pt 3 x 8 WN1452 - BN20138 Art-No. 3216015
5	0023445000	LENS F. INDICATOR
6	0003597000	Adjusting Nut Cpl
7	0078865054	SCREW TORX DUOTAPTITE

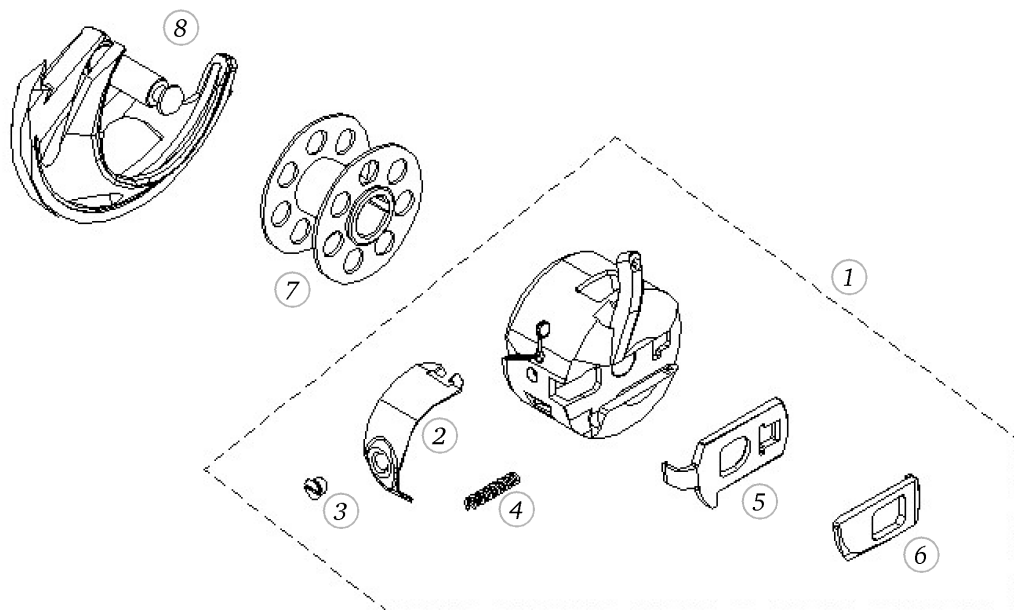


Pos	Item number	Description
1	0311595100	HOOK-GUIDEWAY FINISHED
2	0310285000	NEEDLE PLATE SUPPORT
3	0032465110	Socket Button Head Screws M3x 6 ISO 7380-1 - BN6404 Art-No. 1982990
4	0311825000	Calotte Disc
5	22953723++	Washer d4.1xD10xs0.5
6	0078865045	Socket Pan Head Thread Forming Screws M4x16 DIN7500 - BN13916 Art-No. 2027615
7	0031635100	THREAD GUIDE
8	0066335100	THREAD GUIDE PLATE
9	0077525020	SCREW TORX M2.5X4
10	0314007200	HOOK-DRIVER-PREASS.
10	0314007300	HOOK DRIVER PREASS.
11	0007325100	DRIVER SPRING
12	0020485000	SUPPORT SHEET
13	21500683++	SCREW M2.5
14	0300025000	AXLE
15	23228553++	Washer 6.2/10x0.15
16	23501753++	Circlip For Shafts d1 5 DIN6799 - BN809 Art-No.1284665
17	0047205200	LOW-HEAD-SCREW-M3
17	0017205300	thru head screw
18	0301315000	Latch
18	0301315100	latch
19	0078865043	Socket Pan Head Thread Forming Screws M4x10 DIN7500 - BN13916 Art-No. 2027593
20	0015867000	HOLDER CPL
21	0015387200	SHUTTLE RACE COVER CPL.
22	0329495001	SCREW M2,3X4
23	0082255004	CYLINDRICAL PIN D3X80
24	0078885043	Button Head Screw Torx Dt M4x10

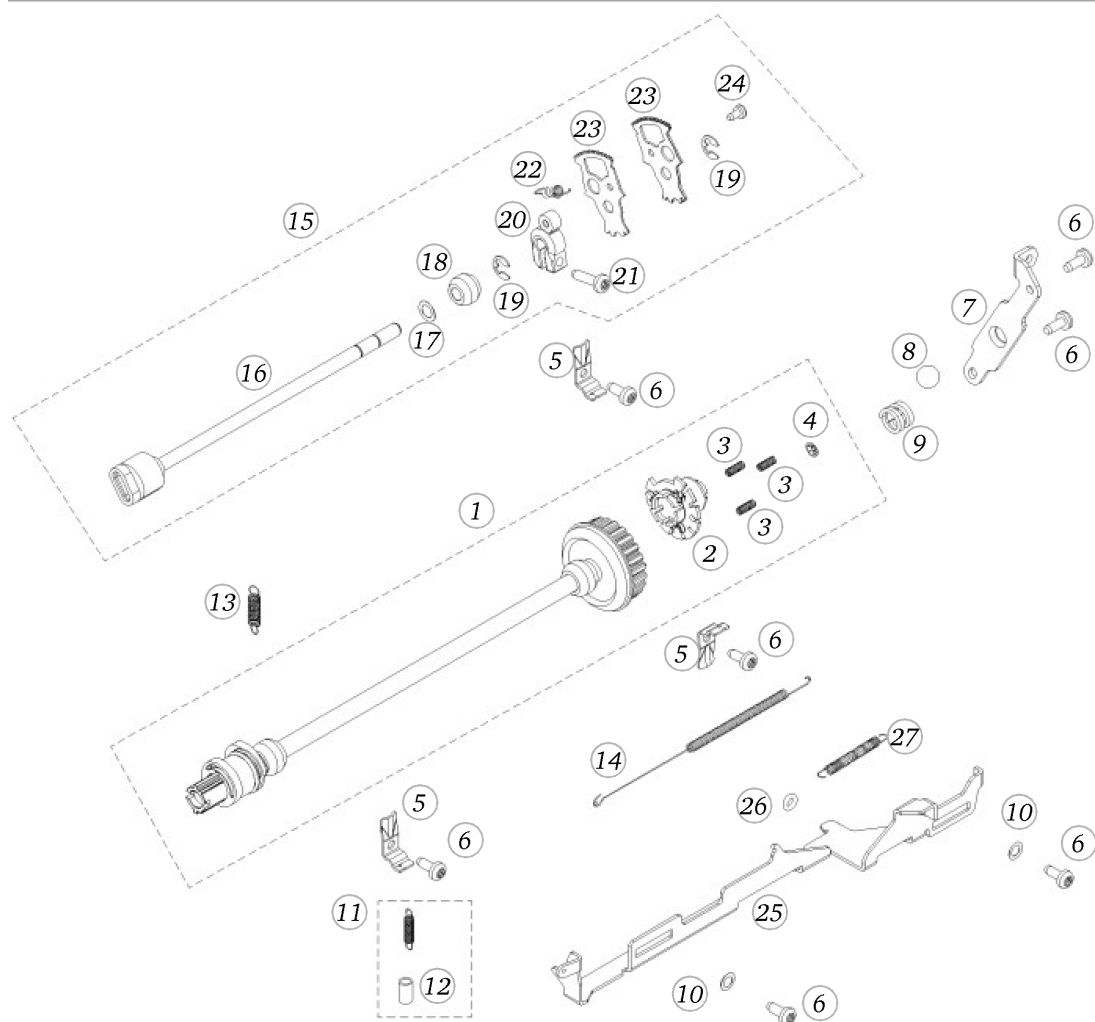
## Bobbin Case with BERNINA Logo

Pos	Item number	Description
4	0015347150	bobbin case cpl.- bobbin case hinge nickle- platet-YS
1	0015347250	bobbin case cpl. bobbin case hinge nickle platet YS
2	1028945000	CB tension spring BERNINA Logo
3	1028955000	CB tension screw BERNINA Logo
4	1028965000	CB latch Spring BERNINA Logo
5	1028975000	CB latch BERNINA Logo
6	1028985000	CB flap BERNINA Logo





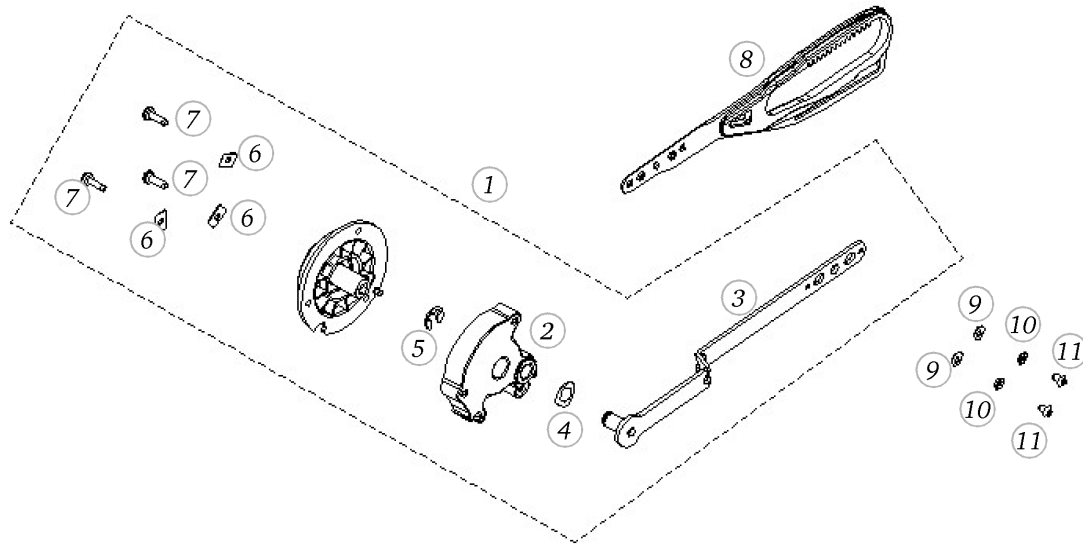
Pos	Item number	Description
4	0015347800	BOBBIN CASE CPL. NICKEL
1	0015347250	bobbin case cpl. bobbin case hinge nickle platet YS
2	317006333+	BOBBIN CASE SPRING
3	317007030+	SCREW
4	25512503++	SPRING
5	0005685200	BOBBIN CASE HINGE NICKEL PLATE
6	0005695100	BOBBIN CASE HINGE NICKEL PLATED
7	0015367200	BOBBIN
7	0015367300	bobbin
8	0302065400	CB-HOOK



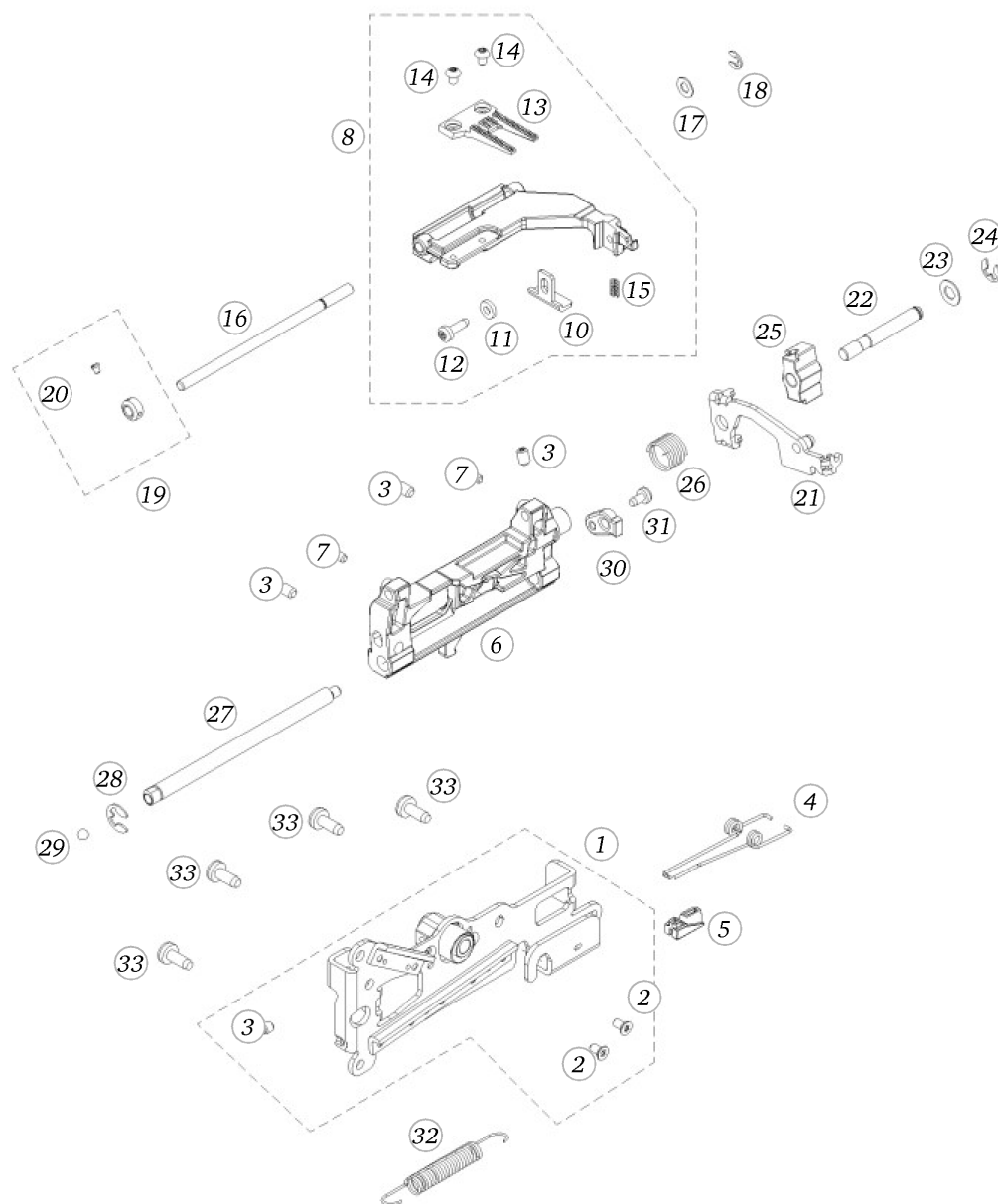
Pos	Item number	Description
1	0304497001	Base Shaft/Hook Drive Crank - Replacement Set
2	0048305000	CARRIER
3	0049645000	SPRING
4	0079135003	Circlip d3 2 Quicklock - BN833 Art-No.1292811
5	0078715200	FIXATION PIECE
6	0078865043	Socket Pan Head Thread Forming Screws M4x10 DIN7500 - BN13916 Art-No. 2027593
7	0048285100	THRUST BEARING PLATE
8	0011695003	ball G40 dm10
9	0303625000	SPRING
10	23226953++	WASHER 5.3x8.5x0.15
11	0079187100	Spring Cpl
12	0321705000	HOSE
13	25603003++	TENSION SPRING
14	0078435000	Zugfeder
15	0078367102	CRANK SHAFT CPL.
16	0078365001	CRANK SHAFT
17	0078955031	Synthetic Washer
18	0078235001	Bearing
19	23501753++	Circlip For Shafts d1 5 DIN6799 - BN809 Art- No.1284665
20	0078035100	STITCH LENGTH CLAMP V180
21	0078865045	Socket Pan Head Thread Forming Screws M4x16 DIN7500 - BN13916 Art-No. 2027615
22	0078445000	Tension Spring De=5,0 L0=15,5 d=0,5
22	0343315000	Tension Spring De=6 L0=18,5 d=0,85
23	0078025000	TOOTH SEGMENT
24	0078865033	Socket Pan Head Thread Forming Screws M3x6 DIN7500 - BN13916 Art-No. 2027534
25	0301415000	FEEDDOG LINKAGE LEVER
26	0030735002	O-ring Seal D4/d2 70ShoreA NBR DIN3771
27	25604303++	TENSION SPRING



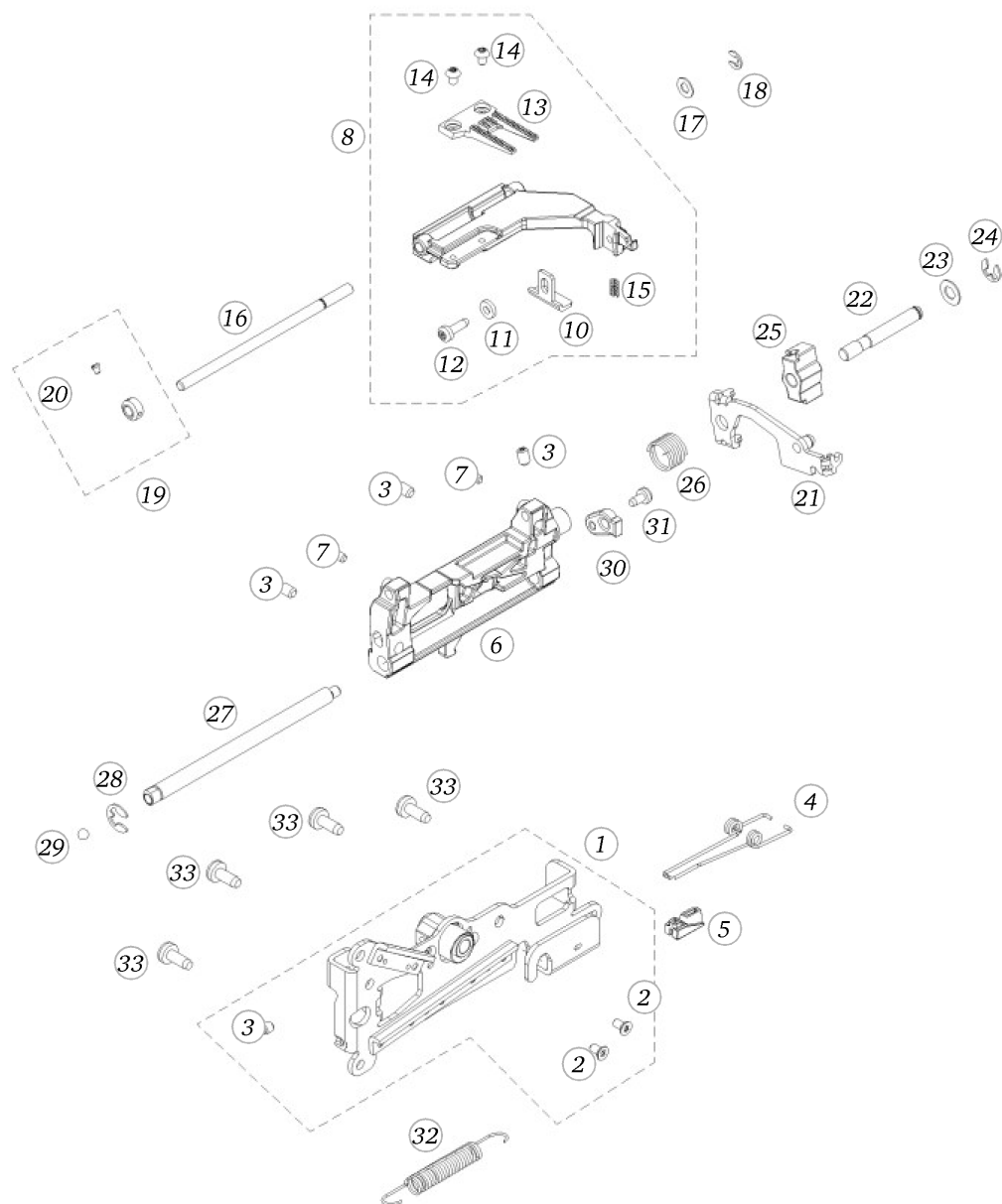
**Hook Driving System**



Pos	Item number	Description
1	0304497001	Base Shaft/Hook Drive Crank - Replacement Set
2	0312225000	HOOK DRIVE CRANK
3	0049397000	CRANK ARM CPL
4	23228653++	WASHER 7.2x12x0.1
5	23501753++	Circlip For Shafts d1 5 DIN6799 - BN809 Art-No.1284665
6	0301995000	WASHER
7	0078865035	Socket Pan Head Thread Forming Screws M3x10 DIN7500 - BN13916 Art-No. 2027550
8	0301575200	TOOTHED RACK FORK
9	22951923++	Flat Washer d3.2/D 7xs0.5
10	23225753++	Curved Spring Washers M3 DIN 137 A - BN795 Art-No. 1280317
11	0032465008	Socket Button Head Screws M3x4.5 screw head after BN6404

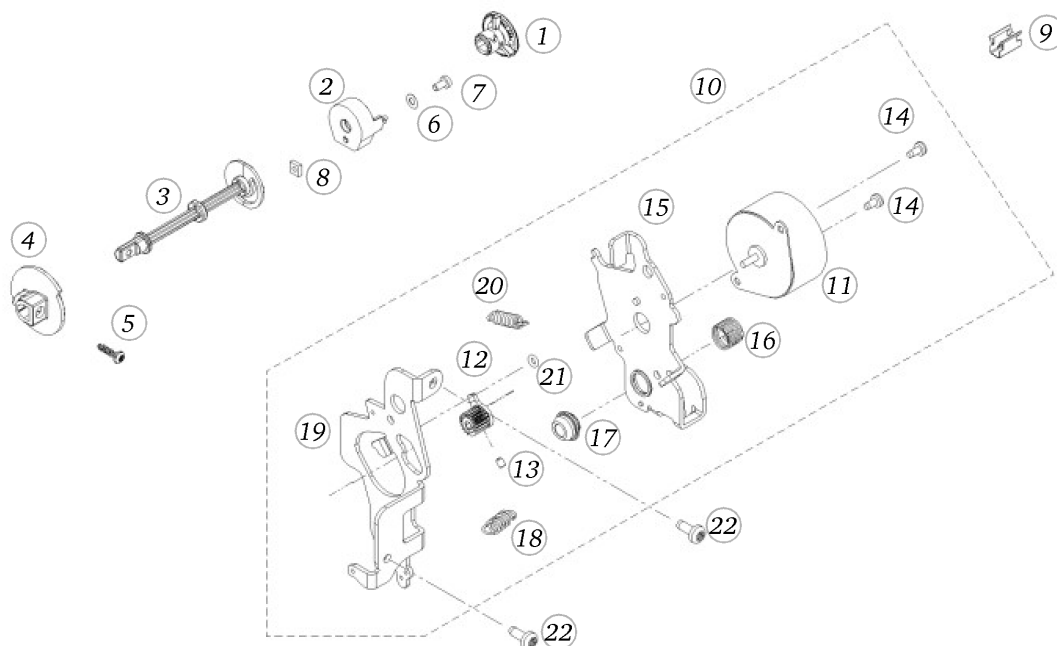


Pos	Item number	Description
1	0309337000	SUPPORT SHEET CPL
2	0302345032	SCREW
3	0078665043	Hexalobular Socket Set Screws M4x6 ISO 4026 - BN11493 Art-No. 3060208
4	0301215100	SPRING
5	0049595000	SLIDE BLOCK
6	0000245600	FEED DOG FORK
7	0078665031	Hexalobular Socket Set Screws M3x4 ISO 4026 - BN11493 Art-No. 3060200
8	0302217000	FEEDDOG SUPPORTER CPL.
9	0302155000	FEEDDOG 5.5 MM
10	0000785200	ADJUSTING PLATE
11	22952113++	Washer 3.2/7x1.5 black finished
12	0000785200	ADJUSTING PLATE
13	0302155000	FEEDDOG 5.5 MM
14	0032465008	Socket Button Head Screws M3x4.5 screw head after BN6404
15	25524003++	Compression Spring De= 3,2 L0=7 d=0,45
16	0302015000	SLIDING AXLE
17	22954983++	Shim Rings 4x0.5 DIN988 - BN1976 Art-No. 3059655
18	23501453++	Circlips For Shafts d1 4 DIN6799 - BN809 Art-No.1284657
19	0011217001	Adjusting Ring Cpl with 1 screw
20	20500353++	Cylinder Head Screw M2x2.5
21	0078047200	THRUST REVERSER CPL.
22	0078075000	BOLT
23	23100203++	Flat Washer d5.2-10x0.5
24	23501453++	Circlips For Shafts d1 4 DIN6799 - BN809 Art-No.1284657
25	0049975000	BEARING
26	0079055000	SPRING
27	0049695100	ECCENTRIC SHAFT
28	23501753++	Circlip For Shafts d1 5 DIN6799 - BN809 Art-No.1284665



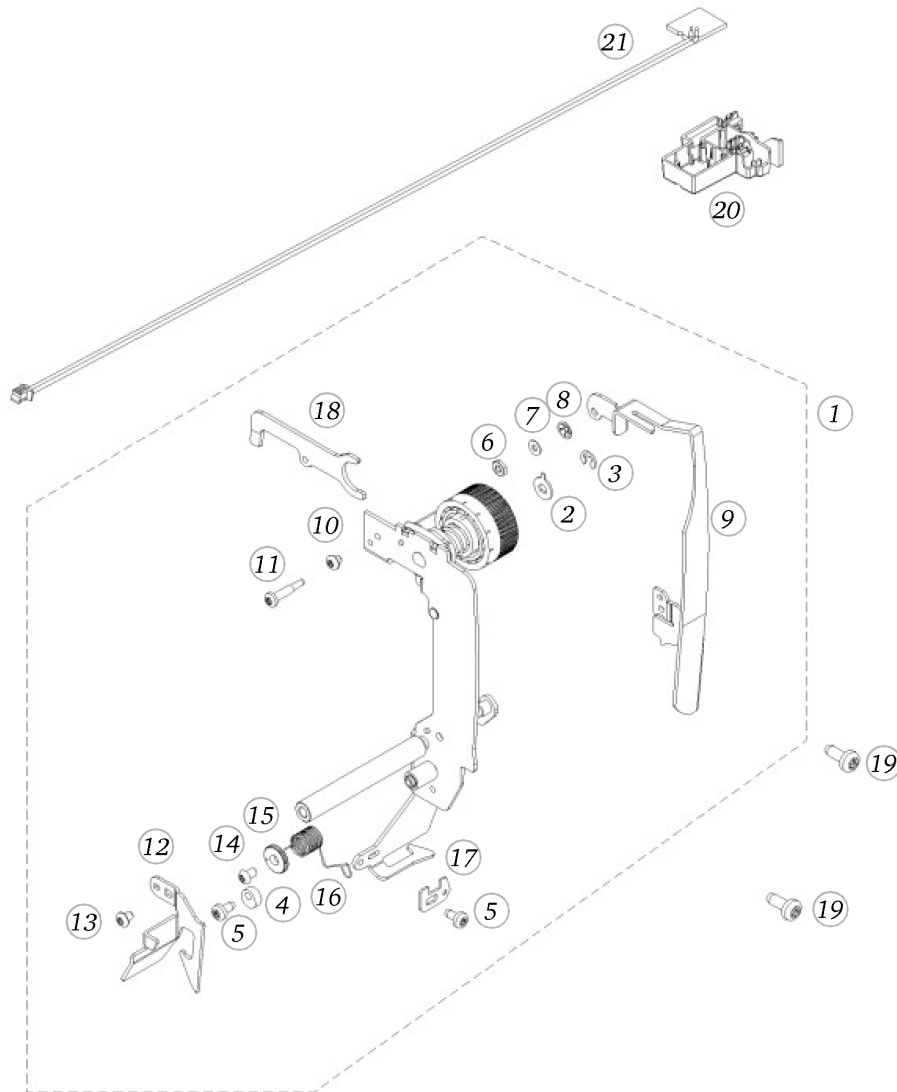
Pos	Item number	Description
29	0011695002	Steel Ball G40 D4 DIN5401 - BN869 Art-No. 1316281
30	0049975000	BEARING
31	0078865033	Socket Pan Head Thread Forming Screws M3x6 DIN7500 - BN13916 Art-No. 2027534
32	0078905000	SPRING
33	0078865043	Socket Pan Head Thread Forming Screws M4x10 DIN7500 - BN13916 Art-No. 2027593

## Stitch Length Motor



Pos	Item number	Description
1	0088607100	CAP CPL.
2	0078315100	ADJUSTING SUPPORT
3	0301585100	ROTATION CONNECTOR
4	0078285100	ADJUSTMENT CAM
5	0023345001	TORX SCREW
6	22951923++	Flat Washer d3.2/D 7xs0.5
7	0077525031	Head Cap Screw Torx M3x6 ISO 14580 - BN4850 Art-No. 1145929
8	22683623++	4 SIDED NUT
9	0048315000	Clamp
10	0303117300	STEPPING MOTOR SL CPL.
11	0078355202	STEPPING MOTOR SL
12	0078085100	PINION
13	0078665031	Hexalobular Socket Set Screws M3x4 ISO 4026 - BN11493 Art-No. 3060200
14	0078865033	Socket Pan Head Thread Forming Screws M3x6 DIN7500 - BN13916 Art-No. 2027534
15	0303075000	MOTOR SUPPORT SHEET
16	0078565000	SPRING
17	0078545000	Bearing
18	0306905000	Spring
19	0088295200	SUPPORT SHEET
20	25629203++	Spring
21	0030735005	O-ring Seal D3/d1.5 70±5 IRHD NBR 70,5 / 5 P DIN3771
22	0078865043	Socket Pan Head Thread Forming Screws M4x10 DIN7500 - BN13916 Art-No. 2027593

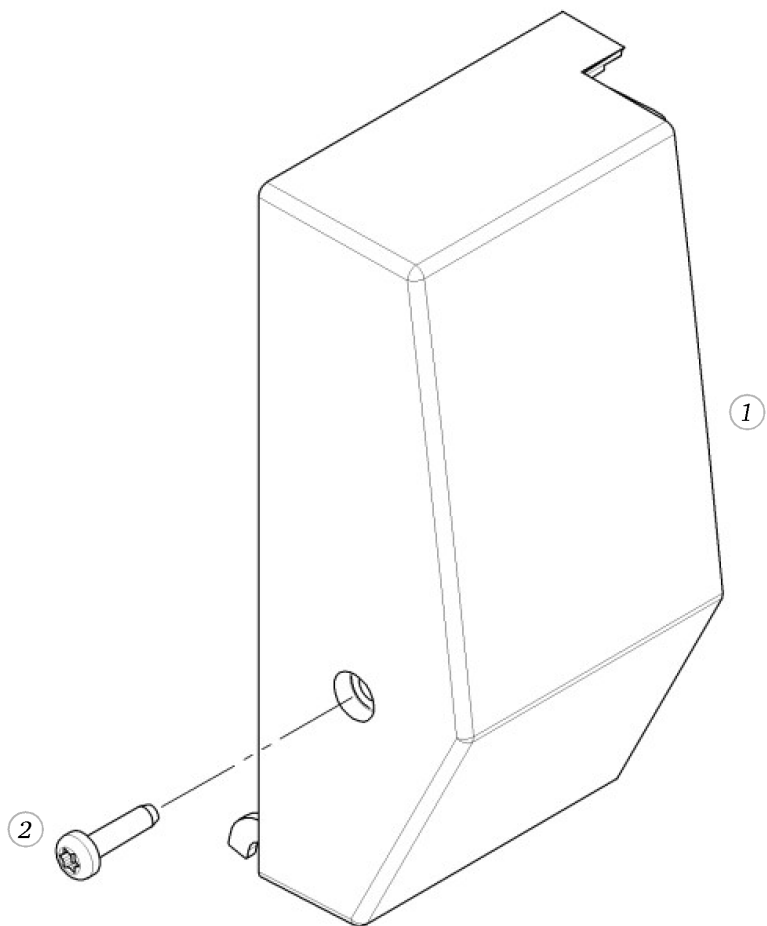
## Take Up Lever and Sewing Light



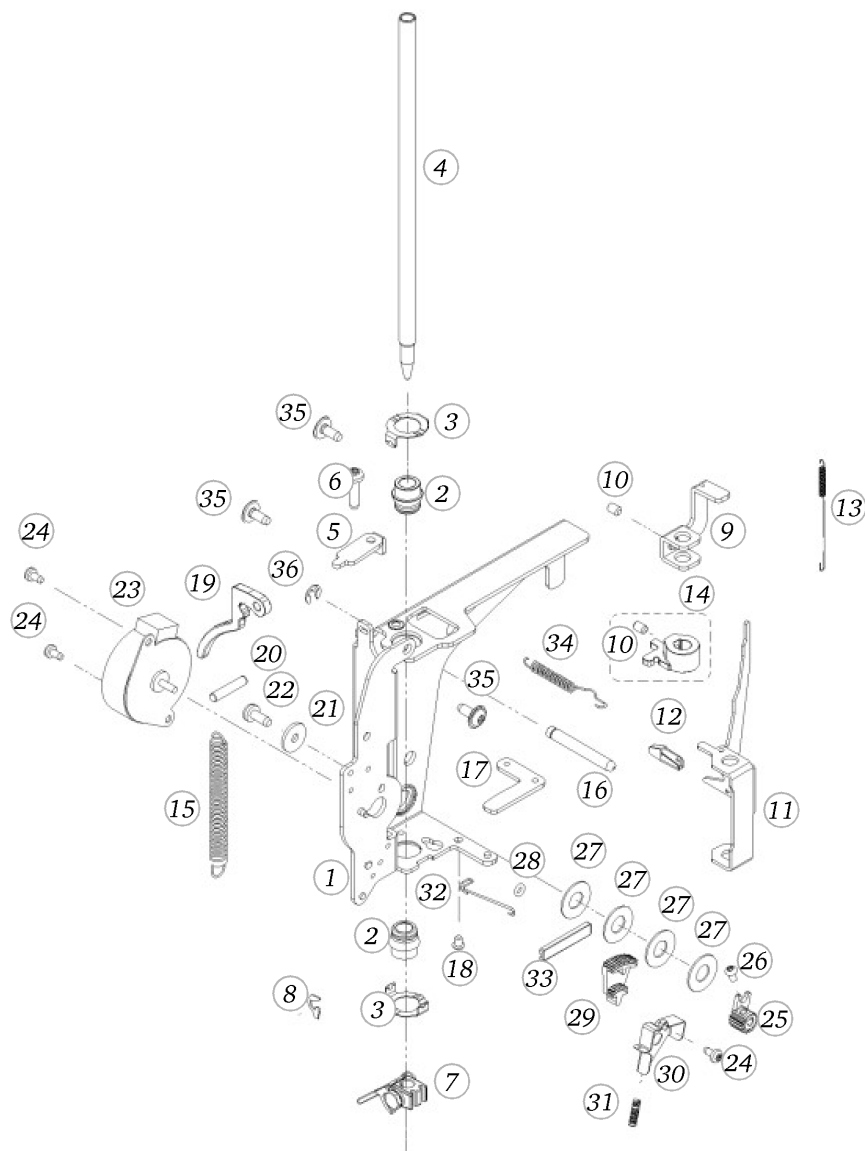
Pos	Item number	Description
1	0049417700	take up lever cover cpl. standard
2	0077985000	STOP DISC
3	23501153++	Circlips For Shafts d1 3.2 DIN6799 - BN809 Art-No.1284649
4	0079565000	BUFFER BLOCK
5	0078865033	Socket Pan Head Thread Forming Screws M3x6 DIN7500 - BN13916 Art-No. 2027534
6	22502013++	Hex Jam Nut M3 Din439b
7	22950313++	Washer d2.5 x D6 x s0.5
8	0079135003	Circlip d3 2 Quicklock - BN833 Art-No.1292811
9	0079505302	TAKE-UP-LEVER COVER
10	0032465007	Socket Button Head Screws M3x 4 ISO 7380-1 - BN6404 Art-No. 3148111
11	0300295100	ADJUSTING SCREW
12	0079515000	COVER REGULATOR
13	0032465109	Socket Button Head Screws M3x3 ISO 7380-1 - BN6404 Art-No. 3645748
14	0032465031	Socket Button Head Screws M3x 5 ISO 7380-1 - BN6404 Art-No. 3148113
15	0326395000	Knurled Washer
16	0079545401	Regulator Spring
17	0082855001	Z-Z LIMITATION 5,5MM
18	0049325200	RELEASE FORK
19	0078865043	Socket Pan Head Thread Forming Screws M4x10 DIN7500 - BN13916 Art-No. 2027593
20	0330555100	NAEHLICHTGEHAEUSE LINKS
21	0336697000	PCB SEWINGLIGHT CPL.

## Head Cover

Pos	Item number	Description
+	0048935423	HEAD COVER-B215
1	0048935523	HEAD COVER B215
2	0078865045	Socket Pan Head Thread Forming Screws M4x16 DIN7500 - BN13916 Art-No. 2027615

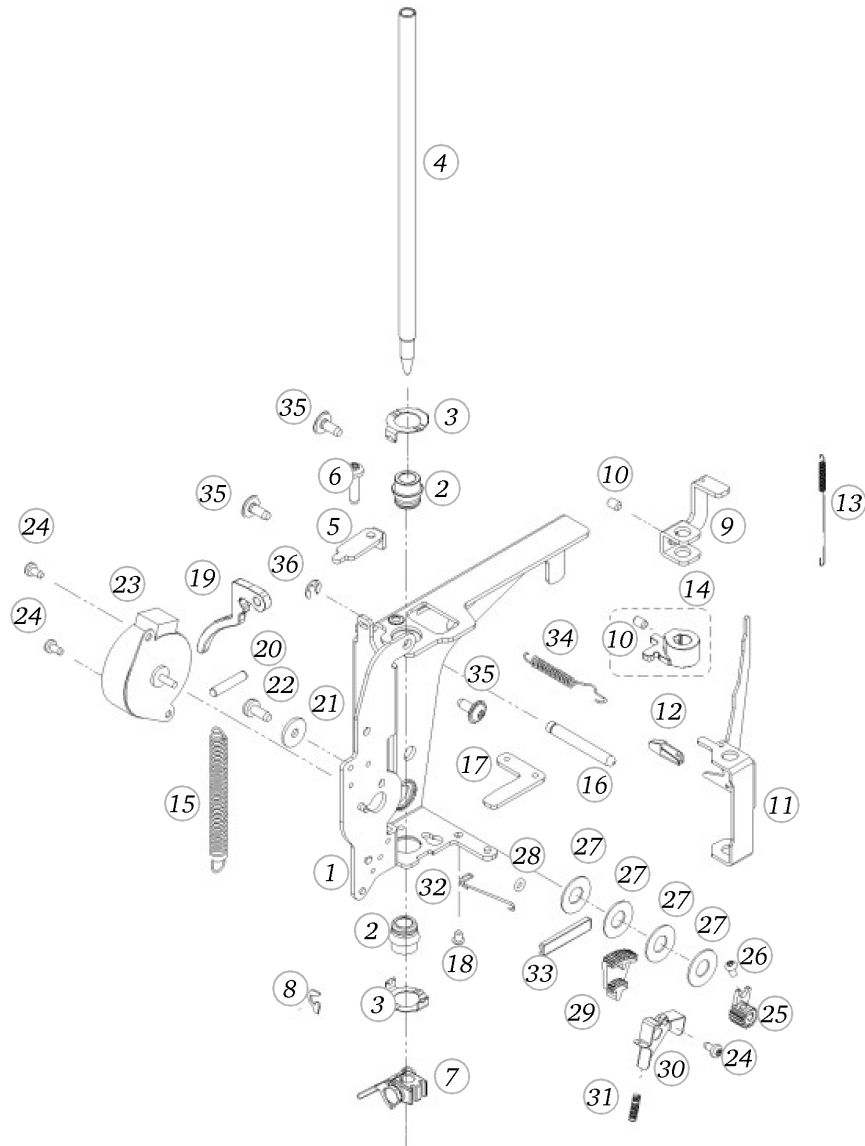


## Headplate



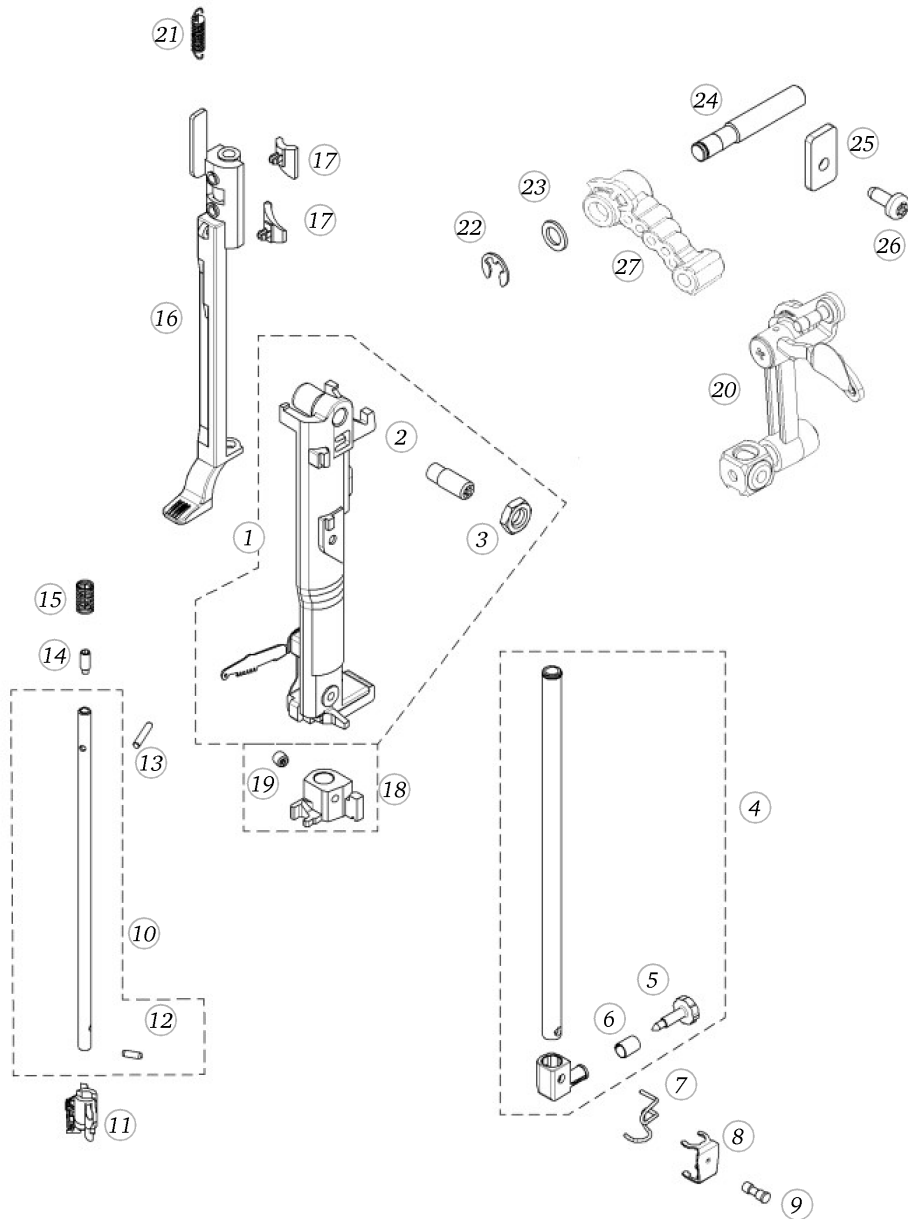
Pos	Item number	Description
1	0088065200	HEAD PLATE
2	0088105200	CALOTTE BUSHING MACHINED
3	0048875000	Clasp
4	0087335000	PRESSER FOOT BAR 157.5
5	0301285000	CLAMPING SHOE
6	0078865045	Socket Pan Head Thread Forming Screws M4x16 DIN7500 - BN13916 Art-No. 2027615
7	0011177101	Clamp piece cpl.
8	0089325000	Safety Plate
9	0089225000	LEVER
10	0078665043	Hexalobular Socket Set Screws M4x6 ISO 4026 - BN11493 Art-No. 3060208
11	0088095100	ENGAGING LEVER
12	0306255000	Cap
13	0303585100	Spring
14	0089247100	PRESSER BAR GUIDE CPL
15	0303715000	NFS-SPRING
16	0087145002	BOLT
17	0049075000	ADJUSTING ARM
18	0032465008	Socket Button Head Screws M3x4.5 screw head after BN6404
19	0075685300	LIFTING LEVER
20	24116643++	PIN D 4.0X20
21	22954313++	Washer d4.2xD14xs1.5
22	0078865043	Socket Pan Head Thread Forming Screws M4x10 DIN7500 - BN13916 Art-No. 2027593
23	0337875000	STEPPER MOTOR
23	0078355005	STEPPING MOTOR SB
24	0078865033	Socket Pan Head Thread Forming Screws M3x6 DIN7500 - BN13916 Art-No. 2027534
25	0302135000	PINION
26	0032465110	Socket Button Head Screws M3x 6 ISO 7380-1 - BN6404 Art-No. 1982990
27	0303195000	DISC SPRING De=18 / di=8,2 / t=0,8

## Headplate



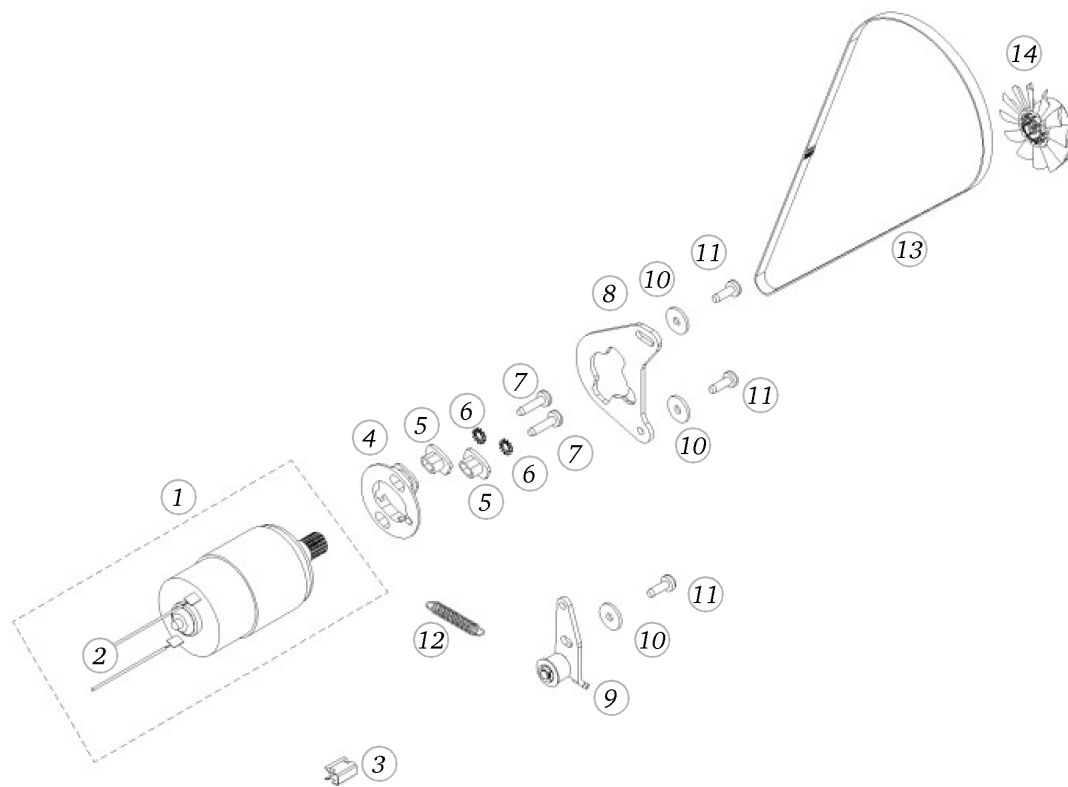
Pos	Item number	Description
28	0030735005	O-ring Seal D3/d1.5 70±5 IRHD NBR 70,5 / 5 P DIN3771
29	0300895000	ZZ-SEGMENT
30	0049065100	ZZ SUPPORT
31	0303595000	Spring
32	0303445000	SPRING
33	0302045000	Slideway
34	0303575200	SPRING
35	0078885043	Button Head Screw Torx Dt M4x10
36	23501453++	Circlips For Shafts d1 4 DIN6799 - BN809 Art- No.1284657





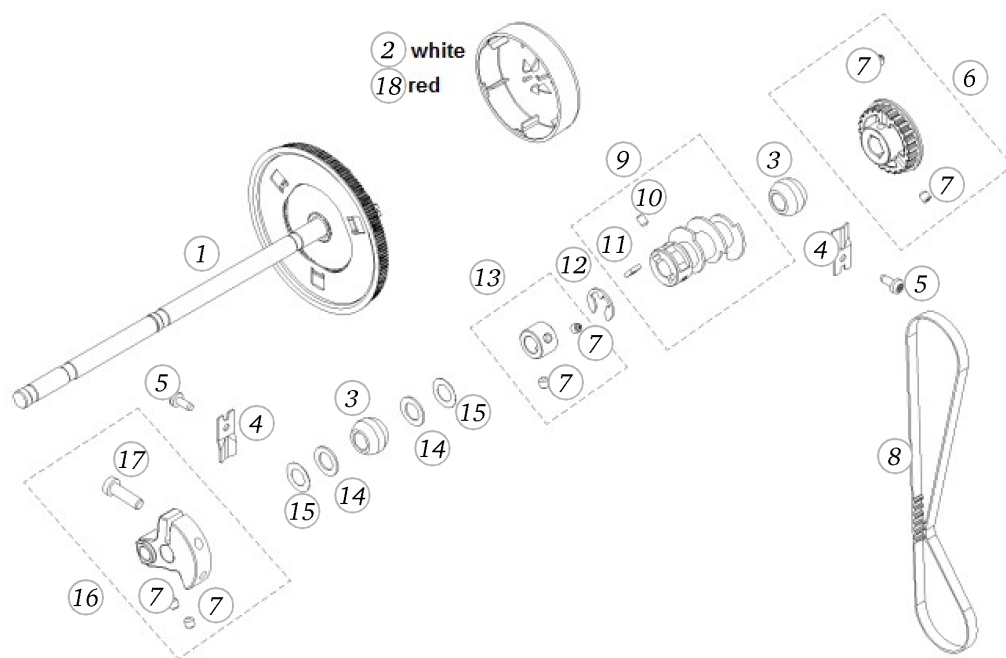
Pos	Item number	Description
1	0320797001	NEEDLE BAR SUPPORT SET
2	0320115000	ADJUSTING-SCREW
3	0320125000	0320125_00
4	0082087101	NEEDLE BAR CPL. W/O Q2.9
5	0082435300	Needle Clamp Screw
5	0082435400	Needle Clamp Screw
6	0012965200	Spring Husk
7	0315035100	THREAD GUIDE
8	0315025000	Clamp
9	0082115002	PIN Ø2.20
10	0075747200	Threader Device Cpl.
11	0337927100	Threader Head Packed Semi-automatic
12	0075955015	PIN
13	24105643++	Parallel Pin Hardened 2h6x12 BN 858
14	20150113++	Hexagon Socket Set Screw M3x8
15	0075965000	Druckfeder -
16	0306445100	Thread-up Support
17	0306495000	Curve Inset
18	0075637300	Guide Assembled
19	0078665041	Hexalobular Socket Set Screws M4x4 ISO 4026 - BN11493 Art-No. 3060207
20	0087987302	THREAD TAKE UP LEVER CPL.
21	25625503++	Spring
22	23501753++	Circlip For Shafts d1 5 DIN6799 - BN809 Art-No.1284665
23	23001213++	Flat Washer d6.2xD10xs1
24	0088205000	BOLT
25	0049205100	Clamp
26	0078865043	Socket Pan Head Thread Forming Screws M4x10 DIN7500 - BN13916 Art-No. 2027593
27	0082025200	TAKE-UP-LINK
27	0082025300	take-up-link

## Main Motor



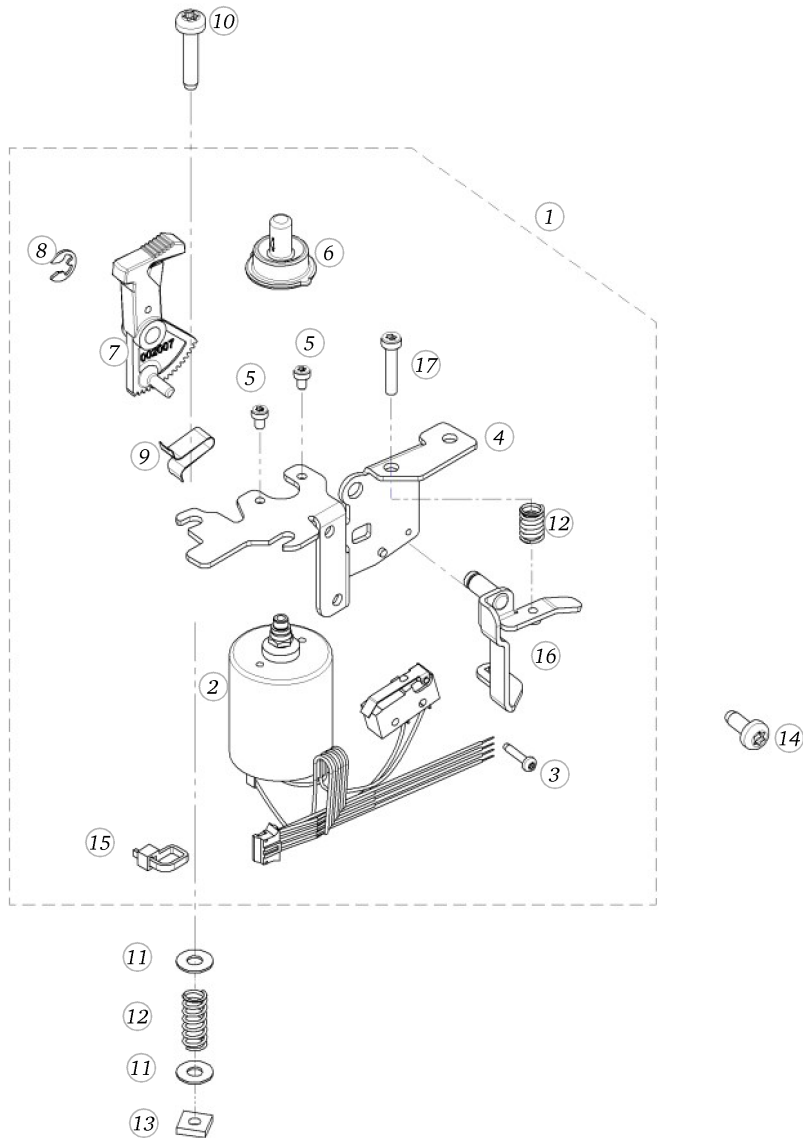
Pos	Item number	Description
1	0078847201	DRIVER MOTOR CPL
2	0038537101	MOTOR CABLE CPL
3	0048315000	Clamp
4	0078985100	Cuff
4	0078985200	Cuff
5	0078995100	Bushing
5	0078995200	Bushing
6	23350653++	Curved Spring Washe d4.3xD8xs0.5
7	0078865045	Socket Pan Head Thread Forming Screws M4x16 DIN7500 - BN13916 Art-No. 2027615
8	0088495000	Motor Support
9	0302147000	BELT STRETCHER PREASSEMBLED
10	22954313++	Washer d4.2xD14xs1.5
11	0078865044	Socket Pan Head Thread Forming Screws M4x12 DIN7500 - BN13916 Art-No. 2027607
12	25604703++	TENSION SPRING
13	0079035002	BELT STD-554-S2M-6
14	0304355200	MOTOR FAN

# BERNINA 215

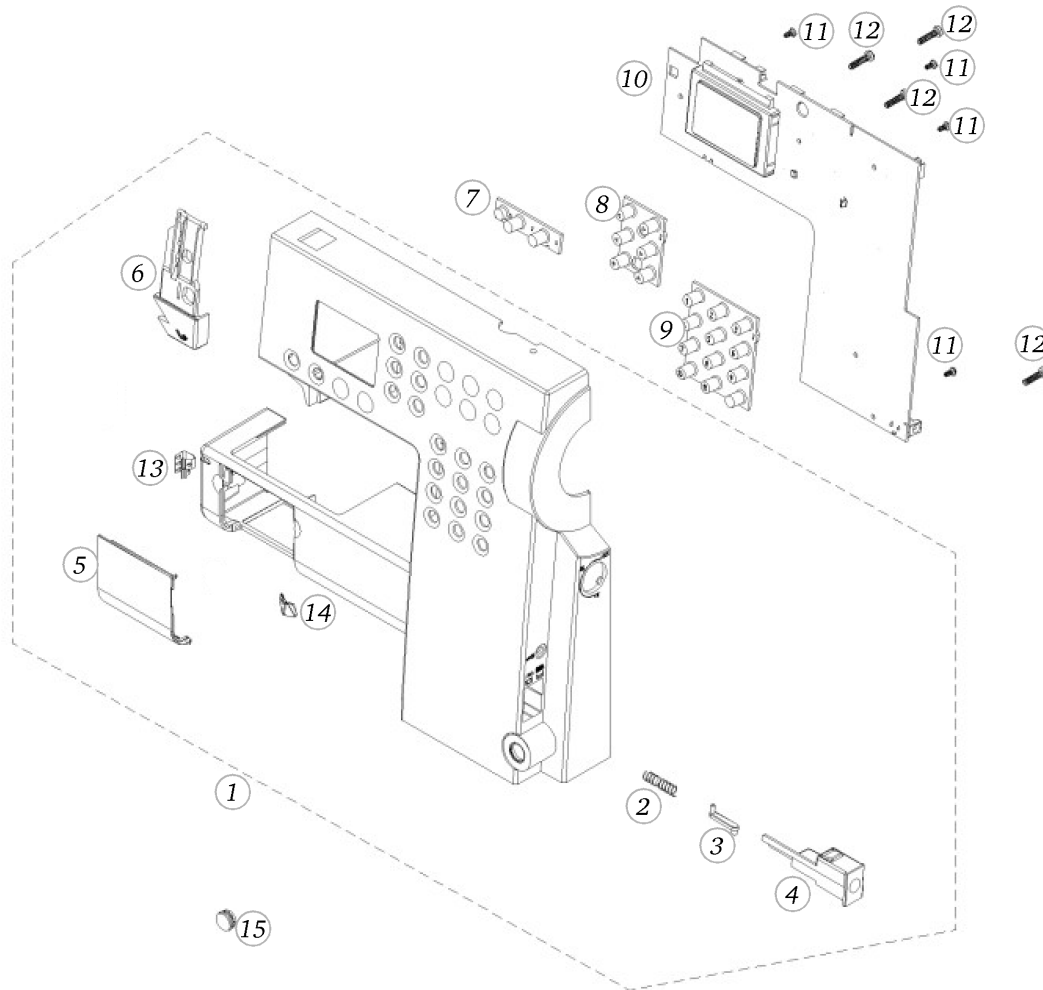


## Upper Shaft

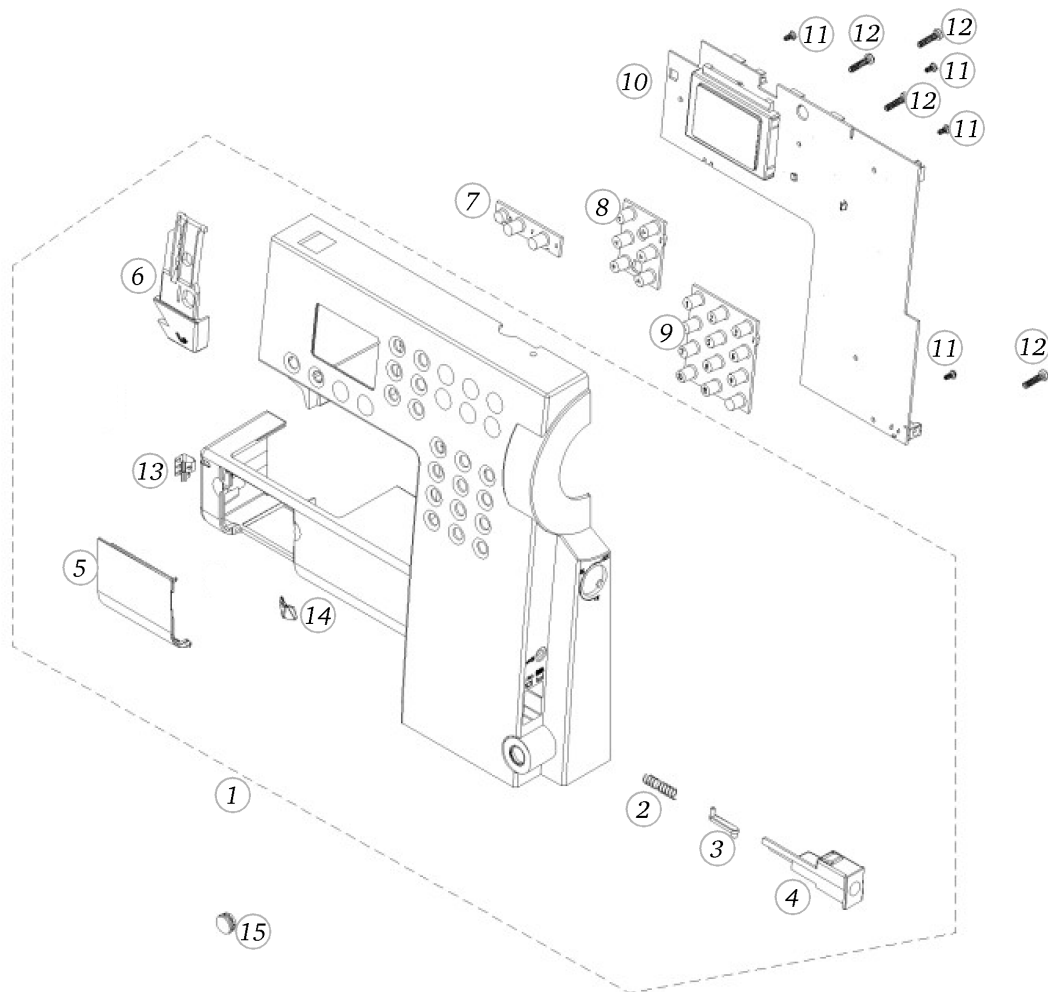
Pos	Item number	Description
1	0077797101	MAINSHAFT CPL
2	0077717000	HAND WHEEL CPL.
3	0078235002	Bearing 10
4	0077785200	Clamping Claw with slote
4	0077785300	Clamping Claw with slote
5	0078865043	Socket Pan Head Thread Forming Screws M4x10 DIN7500 - BN13916 Art-No. 2027593
6	0019947301	BELT DRIVE 24 TEETH
7	0078685072	Hexalobular Socket Set Screws M5x0,5x5
8	0079035022	BELT 188 XL
9	0077547101	SYNCHR.DISK CPL.
10	0078665043	Hexalobular Socket Set Screws M4x6 ISO 4026 - BN11493 Art-No. 3060208
11	22684183++	Square Thin Nuts M4 DIN 562 - BN145 Art-No. 1092502
12	0079665011	Circlip For Shafts As 9.0, Benzing
13	0077817000	Adjusting Ring Cpl.
14	303200031+	Washer
15	0078955071	Synthetic Washer 10,3 x 17 x 1
16	0077807100	BALANCE PIECE CPL.
17	0077525066	Head Cap Screw Torx M6x20 ISO 14580 - BN4850 Art-No. 1146149
18	0077715202	HAND WHEEL



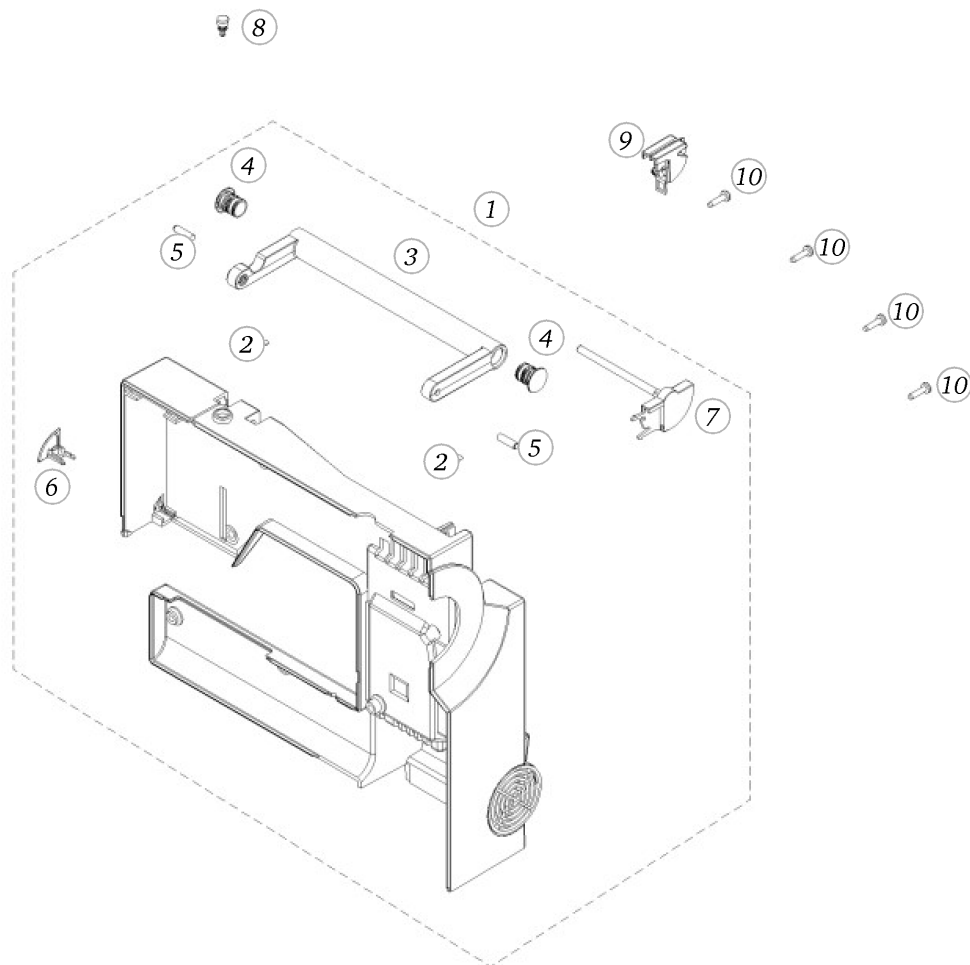
Pos	Item number	Description
1	0311537200	BOBBIN WINDER CPL.
2	0022577103	BOBBIN WINDER MOTOR CPL.
2	0311537200	BOBBIN WINDER CPL.
3	0078865015	Socket Pan Head Thread Forming Screws M2x10 DIN7500 - BN13916 Art-No. 3271298
4	0311515000	WINDER SUPPORT
5	0077525020	SCREW TORX M2.5X4
6	0018437200	Spool Carrier Cpl. white
7	0020077100	BOBBIN WINDER LEVER CPL.
8	23501453++	Circlips For Shafts d1 4 DIN6799 - BN809 Art- No.1284657
9	0077745000	Spring
10	0078865046	Socket Pan Head Thread Forming Screws M4x20 DIN7500 - BN13916 Art-No. 3070342
11	22955013++	Flat Washer 4.3/10x0.6 black
12	25545003++	Spring
13	22683903++	Square Nuts M4 s8x2 bright
14	0078865043	Socket Pan Head Thread Forming Screws M4x10 DIN7500 - BN13916 Art-No. 2027593
15	329374030+	CABLE TIE 2,5 x 98mm
16	0311527100	Governor Lever Cpl
17	0077525035	Head Cap Screw Torx M3x16 ISO 14580 - BN4850 Art-No. 1145967



Pos	Item number	Description
4	0300797630	FRONT COVER-B215
1	0300797730	FRONT COVER B215
2	0321135000	Spring
3	0300965000	SWITCH LEVER
4	0300955000	SWITCH PUSH BUTTON
5	0300827000	BOBBIN DOOR CPL
6	0300815001	REVERSE PUSH BUTTON WHITE
7	0300945006	RUBBER PAD NS BLACK
8	0300935103	RUBBER PAD PF BLACK
9	0300925104	RUBBER PAD NUM BLACK
40	0155007605	PRINT-S ACTIVA-210/215/220
10	0155007905	print S activa
11	0023345035	SCREW
12	0329895034	Delta PT pan head screw
13	0300835000	Bobbin Thread Cutter left side
14	0321337000	THREAD CUTTER CPL
15	0078275000	PLUG



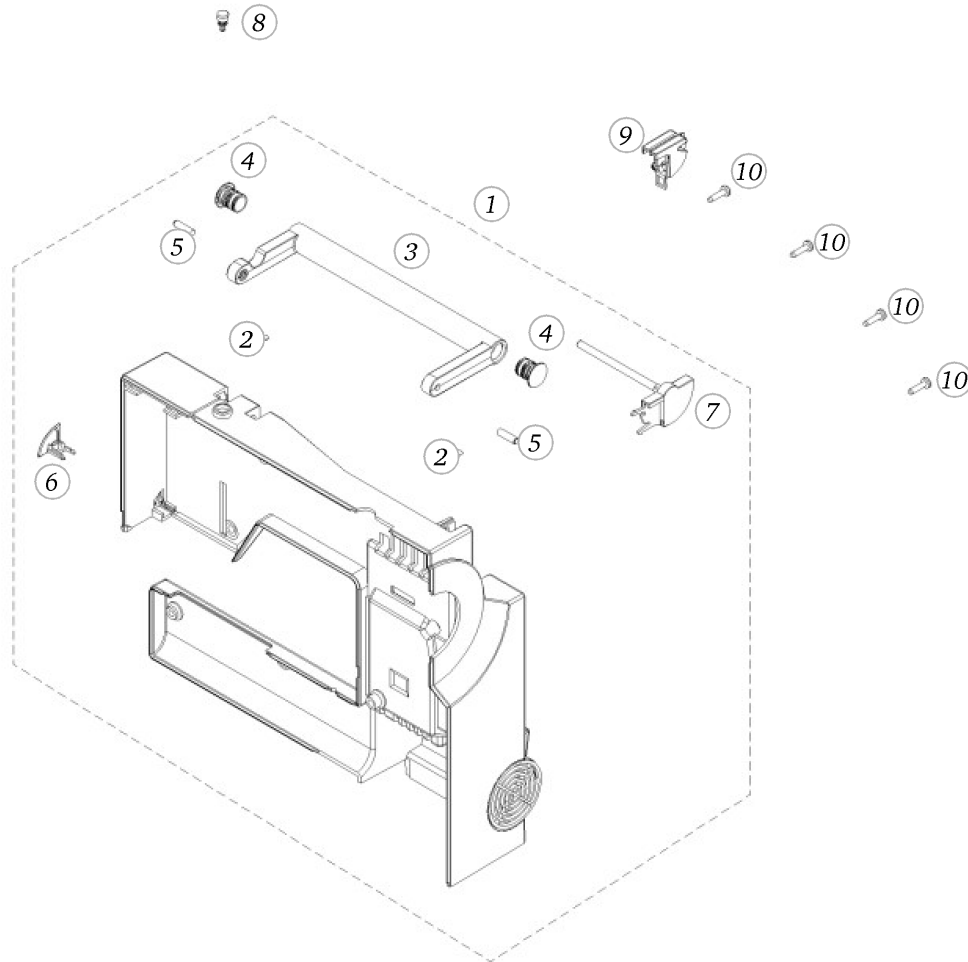
Pos	Item number	Description
1	0300797631	FRONT COVER
2	0321135000	Spring
3	0300965000	SWITCH LEVER
4	0300955000	SWITCH PUSH BUTTON
5	0300827000	BOBBIN DOOR CPL
6	0300815002	REVERSE PUSH BUTTON
7	0300945007	RUBBER PAD NS
8	0300935104	RUBBER PAD PF
9	0300925105	RUBBER PAD NUM
10	0155007605	PRINT-S ACTIVA-210/215/220
11	0023345035	SCREW
12	0329895034	Delta PT pan head screw
13	0300835000	Bobbin Thread Cutter left side
14	0321337000	THREAD CUTTER CPL
15	0078275000	PLUG



Pos	Item number	Description
1	0048927305	REAR COVER ASS
2	0300725000	Bumpons
3	0049015302	HANDLE BLACK B215
4	0315805101	END CAP BLACK
5	0302095100	BOLT
6	0301007000	THREAD CUTTER CPL
7	0049025101	SPOOL SUPPORT
8	0048497200	BOBBIN WINDER THREAD TENSION CPL.
9	0302077400	THREAD GUIDE CPL.W.COVER
10	0078865045	Socket Pan Head Thread Forming Screws M4x16 DIN7500 - BN13916 Art-No. 2027615

# BERNINA 215

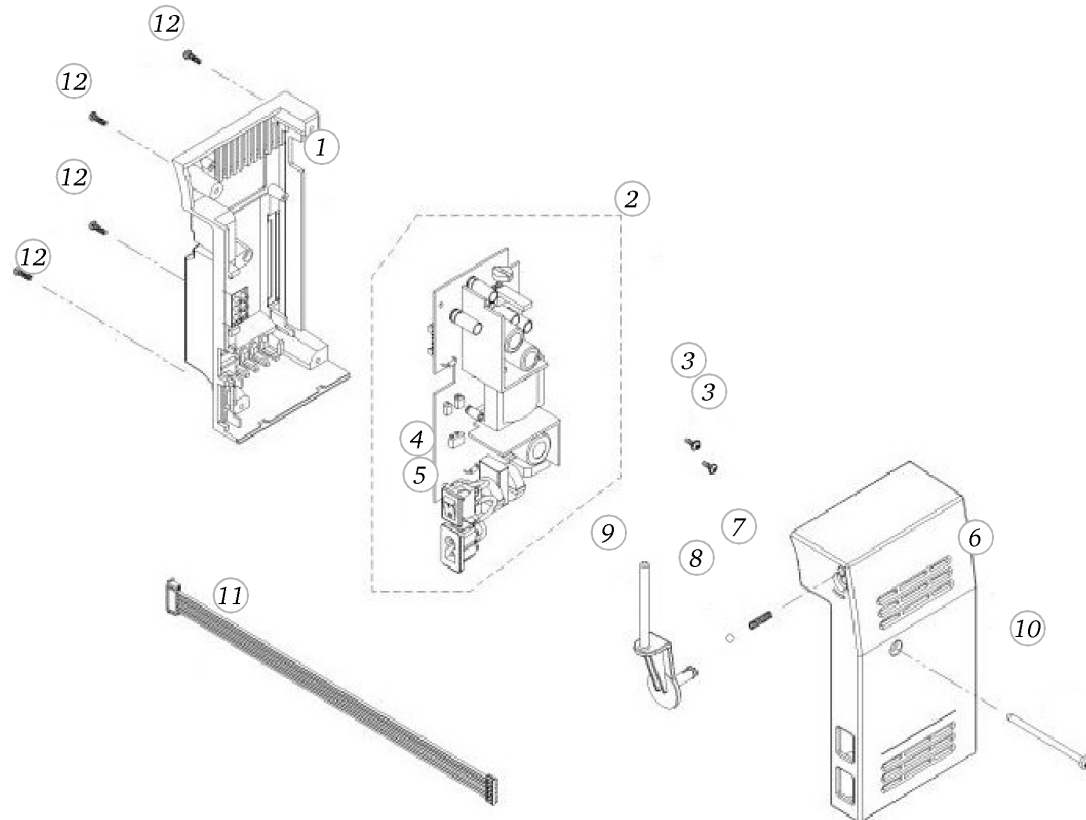
## Rear Cover (Simply Red)



Pos	Item number	Description
1	0048927206	REAR COVER ASS
2	0300725000	Bumpons
3	0049015203	HANDLE
4	0315805102	END CAP
5	0302095100	BOLT
6	0301007000	THREAD CUTTER CPL
7	0049025101	SPOOL SUPPORT
8	0048497200	BOBBIN WINDER THREAD TENSION CPL.
9	0302077400	THREAD GUIDE CPL.W.COVER
10	0078865045	Socket Pan Head Thread Forming Screws M4x16 DIN7500 - BN13916 Art-No. 2027615

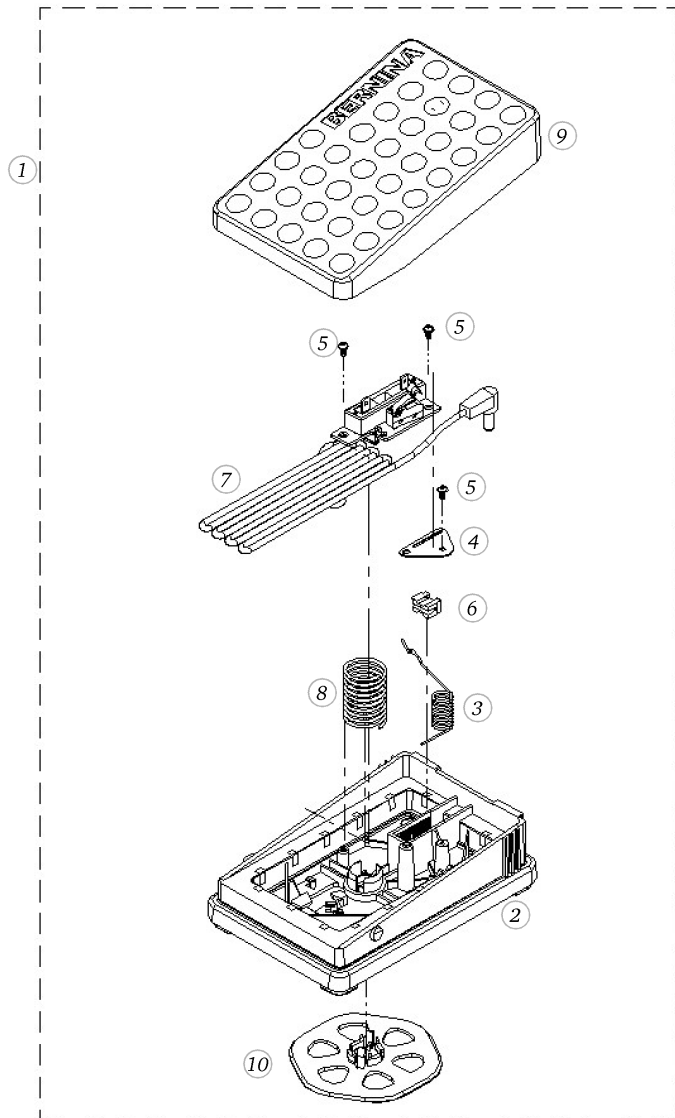


# BERNINA 215



## Power Supply

Pos	Item number	Description
1	0306365102	UNIVERSAL POWER SUPPLY BODY
2	9309447700	UNIVERSAL L-PRINT CPL-
2	0309447800	PCBA power supply B215 / B3xx
3	0329905022	Delta Pt Round Washer Head Screw With Torx 3x 8
4	0304745000	I/O-switch vertically
5	0304735000	POWER INLET
6	0301235100	COVER L-PRINT
7	0325815000	SPRING
8	0011695000	steel ball G40
9	0303355000	SPOOL SUPPORT PIN TURNING
10	0302195001	TORX SCREW DT
11	0006597244	CABLE KPL 8-POL
12	0329895012	Delta Pt Pan Head Screw With Torx 3x10

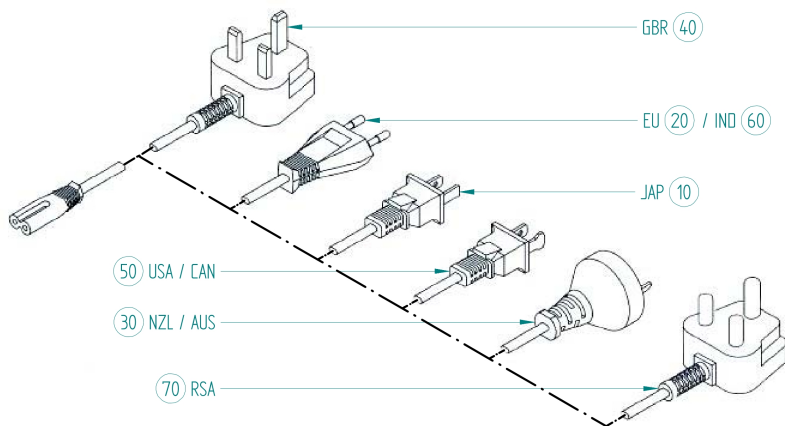


Pos	Item number	Description
1	0089267200	Foot Controller Cpl
2	0089275000	Foot Controller Bottom
3	0049035200	Torsion Spring
4	0048995000	Cover Sheet
5	0023345029	Pan Head Pt Screw 3 x 8 WN1451 - BN20095 Art-No. 3205502
6	0048985100	Slider
7	0049447101	PRINT CPL. FOOTCONTROL
8	0303225000	SPRING
9	0089285000	Foot Controller Cover
10	0079875201	Wire Plate

# BERNINA 215

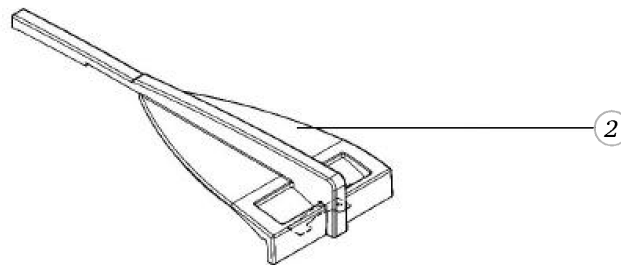
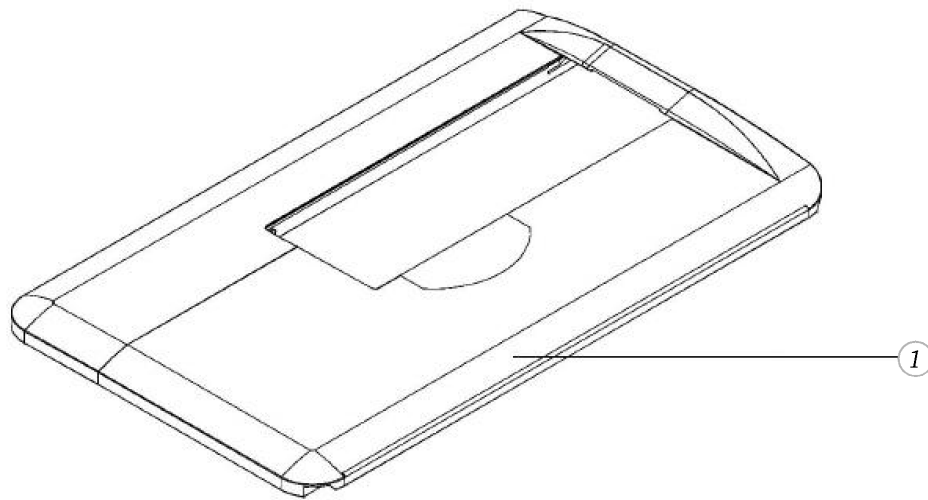
## Power Plug

Pos	Item number	Description
10	0079287004	Power Cord Cpl. Japan
20	0079287303	Power Cord Cpl. Europe
30	0079287002	Power Cord Cpl. New Zealand / Australia
40	0079287001	Power Cord Cpl. Great Britain
50	0079287300	Power Cord Cpl. USA / CAN
60	0079287000	Power Cord India
70	0079287405	Power Cord Cpl. South Africa



## Sewing platform

Pos	Item number	Description
1	0303475101	SEWING TABLE TRANSPARENT
2	0307267001	SEAM GUIDE CPL OPTIMA

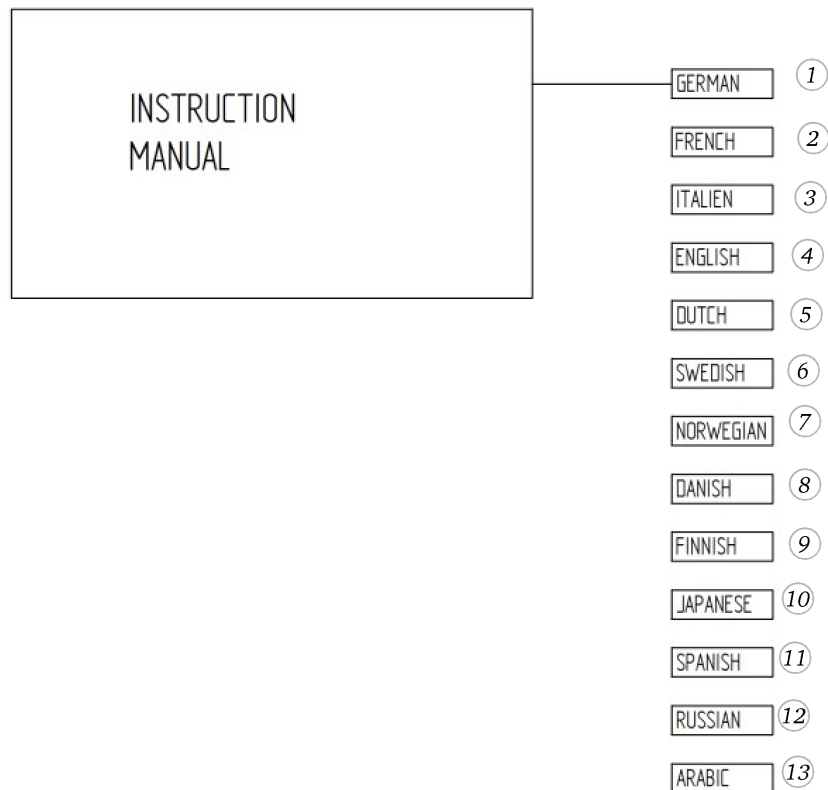


## BERNINA 215

## Dust Cover

Pos	Item number	Description
1	0336535100	DUST COVER B215





Pos	Item number	Description
1	0336445001	USER MANUAL B215 DE
2	0336445102	USER MANUAL B215 FR
3	0336445003	USER MANUAL B215 IT
4	0336445104	USER MANUAL B215 EN
5	0336445005	USER MANUAL B215 NL
6	0336445006	USER MANUAL B215 SV
7	0336445007	USER MANUAL B215 NO
8	0336445008	USER MANUAL B215 DA
9	0336445009	USER MANUAL B215 FI
10	0336445010	USER MANUAL B215 JA
11	0336445011	USER MANUAL B215 ES
12	0336445018	USER MANUAL B215 RU
13	0336445020	USER MANUAL B215 AR

## BERNINA 215

## Accessory bag (BERNINA 215)

Pos	Item number	Description
1	0327257000	SNAP-ON SCHAFT CPL. PACKED
2	0336545100	ACCESSORY BAG B215

